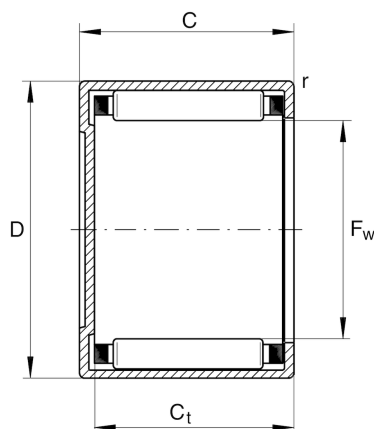
**BK0509-B**

Drawn cup needle roller bearing closed end

Schaeffler ID:  
0011975680000Drawn cup needle roller bearings with  
closed end BK, to DIN 618/ISO 3245

## Technical information

**Main Dimensions & Performance Data**

$F_w$	5 mm	Under roller diameter
$D$	9 mm	Outside diameter
$C$	9 mm	Width, outer ring
$C_r$	2,400 N	Basic dynamic load rating, radial
$C_{0r}$	1,990 N	Basic static load rating, radial
$C_{ur}$	243 N	Fatigue load limit, radial
$n_G$	39,000 1/min	Limiting speed
$n_{G \text{ Grease}}$	23,500 1/min	Limiting speed for grease lubrication
$n_{gr}$	36,500 1/min	Reference speed
	2.07 g	Weight

**Additional information**

$r_{\min}$	0.4 mm	Minimum chamfer dimension
	GR5X9X2	Sealing ring
$C_{t \min}$	7.4 mm	Minimum width to base of drawn cup with closed end

**Temperature range**

$T_{\min}$	-30 °C	Operating temperature min.
$T_{\max}$	140 °C	Operating temperature max.